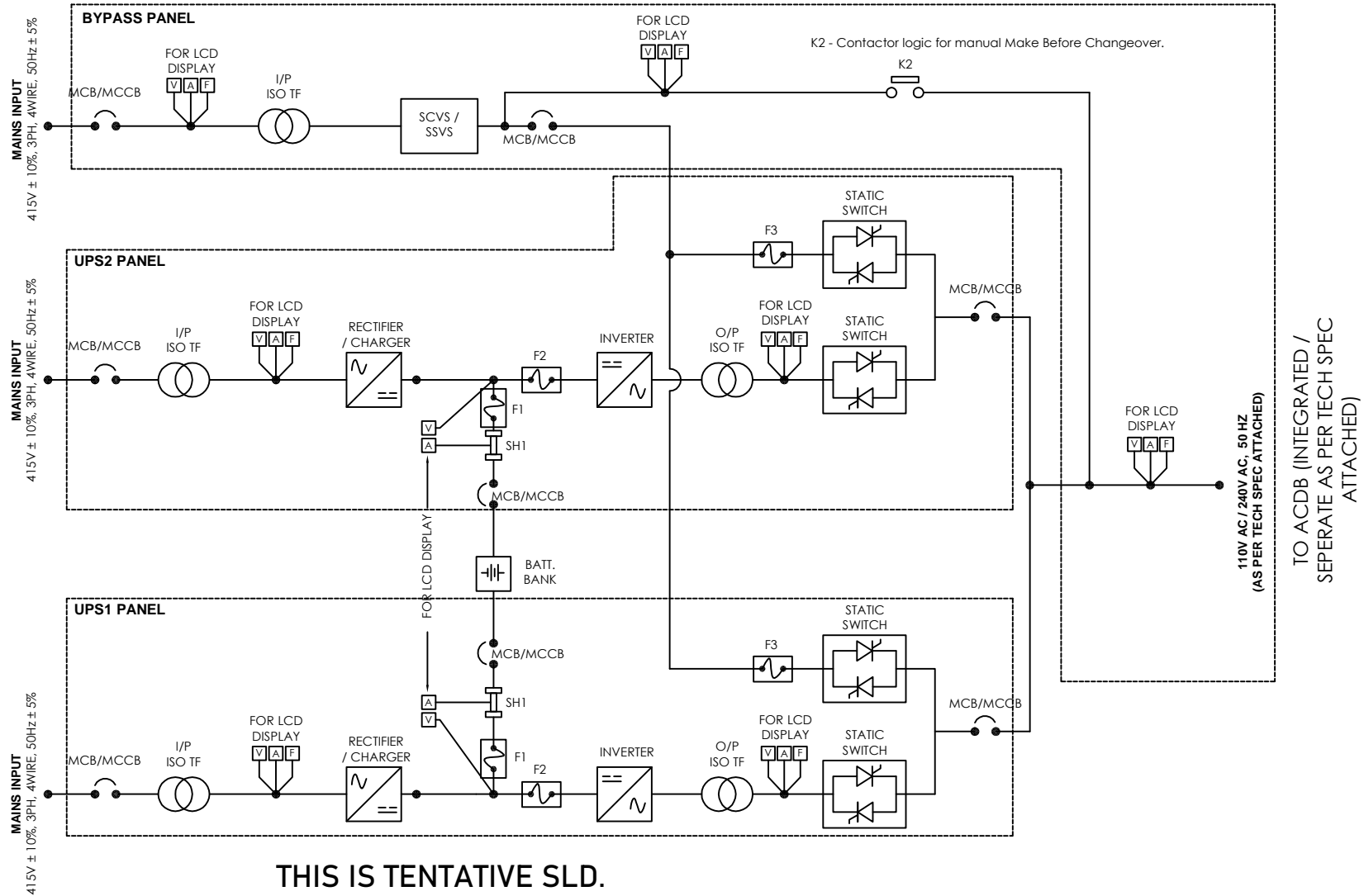


LIVELINE ELECTRONICS AND MUST NOT BE COPIED OR LENT WITHOUT THERE PERMISSION IN WRITING

PARALLEL REDUNDANT UPS (FULL CONFIGURATION)



TO ACDB (INTEGRATED / SEPERATE AS PER TECH SPEC ATTACHED)

.O.No.:

END USER :

Title: - SINGLE LINE DIAGRAM FOR PROPOSED UPS (AS PER TECHNICAL SPEC ATTACHED)

LIVELINE ELECTRONICS
 orth Ramchandrapur, Narendrapur,
 olkata-700103
 telephone: 033-64520115
 -mail: info@livelineindia.com
 www.livelineindia.com



DATE
 Dm.
 Chd.
 App

Issue

Amendments/revision
 FOR PROPOSAL PURPOSE

Date
 02.06.18

Name

Client :

Drg.No : SLD-2-18UPS REV. : 00

SCALE : NTS
 PROJ.REF :
 SHEET NO : 01
 NO.OF SHEET : 01